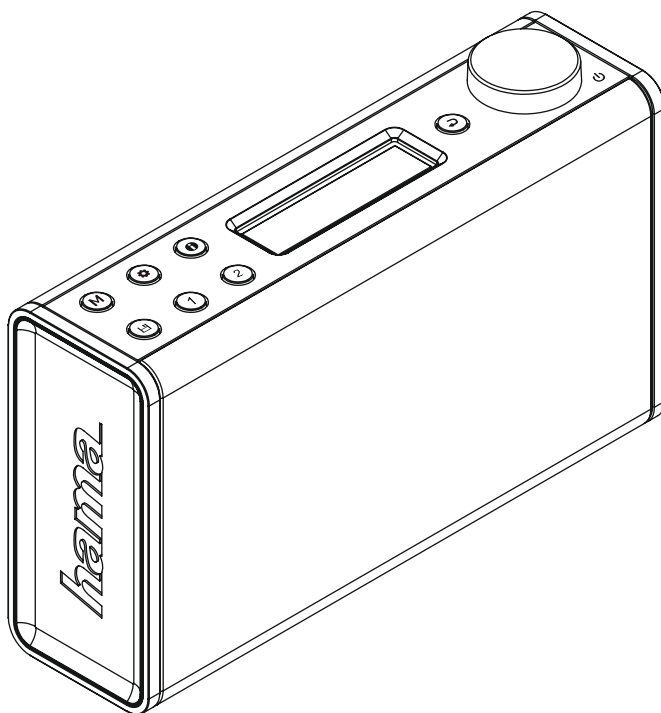


00054242
(DR7USB)

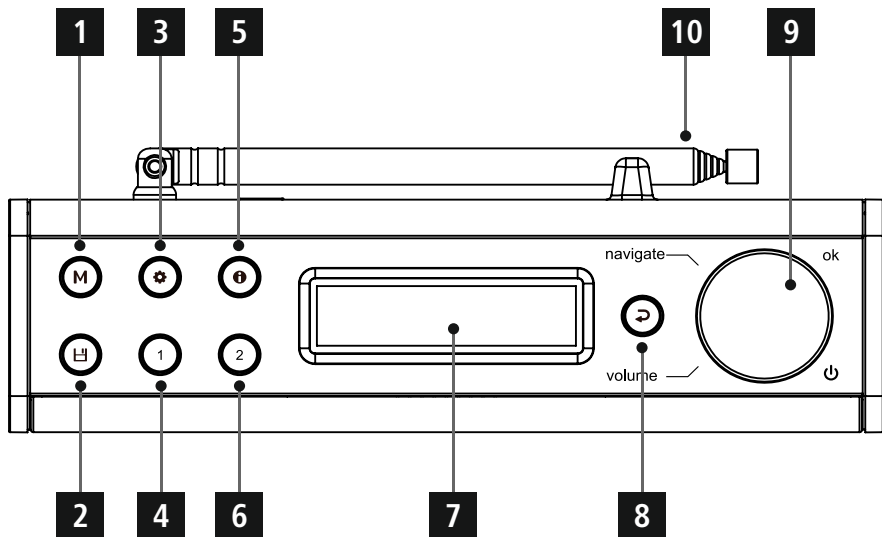
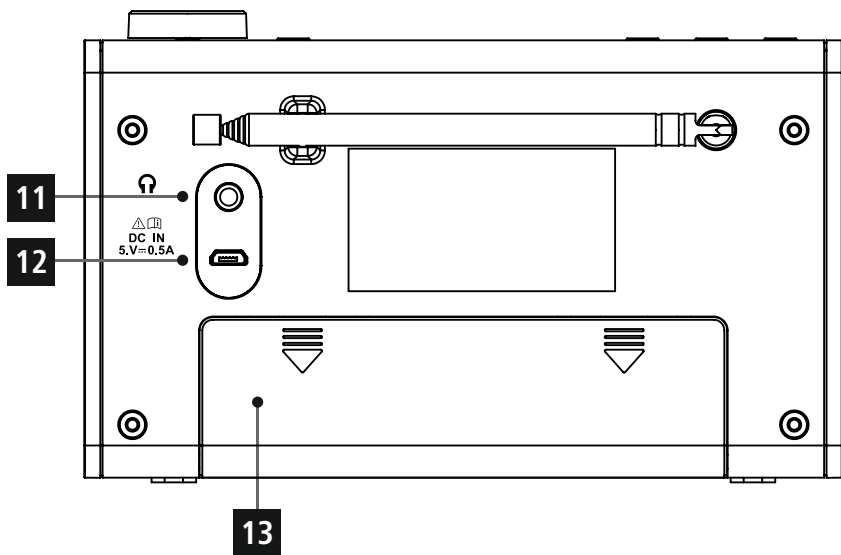
hama®
THE SMART SOLUTION

Digital Radio

Digital-Radio



Operating Instructions / Bedienungsanleitung / Mode d'emploi / Instrucciones de uso /
Руководство по эксплуатации / Istruzioni per l'uso / Gebruiksaanwijzing / Οδηγίες χρήσης / Instrukcja obsługi /
Használati útmutató / Návod k použití / Návod na použitie / Manual de instruções / Kullanma kılavuzu /
Manual de utilizare / Bruksanvisning / Käyttöohje / Работна инструкция / Betjeningsvejledning / Manuelt stasjonssøk

A**B**







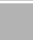



Technical Data

Radio Receiver/ Radio Empfänger	DAB ✓	DAB+ ✓	FM ✓	Internet -	Spotify -
Display/ Bildschirm	2.1" Liquid Crystal Display (LCD)				
Speaker/ Lautsprecher	0.5 W RMS				
Power input/ Stromeingang	DC 5 V \pm 500 mA, 4x AA Battery				
Frequency range/ Frequenzbereich	DAB/DAB+: 174 ~ 240 MHz		FM: 87.5 ~ 108 MHz		
Sensitivity/ Empfindlichkeit	DAB/DAB+: -97 ~ -99 dBm		FM: -105 ~ -109 dBm		
Power Consumption/ Stromaufnahme	Operation/ Betrieb	max. 2.5 W	Standby/ Bereitschaft	< 1 W	
Input & Output/ Anschlüsse	DC Socket, 3.5 mm Earphone Jack				
Presets/ Favoriten	DAB/DAB+: 30	FM: 30			
Codec/ Formate	DAB: MP2, AAC				
UI Languages/ UI Sprachen	CS, DA, DE, EN, ES, FIN, FR, IT, NL, NO, PL, PT, SK, SV, TR				
Package Content/ Verpackungsinhalt	DR7USB, Quick Guide, 4x AA (Mignon) batteries DR7USB, Kurzanleitung, 4x AA (Mignon) Batterien				
Dimension (WxHxD)/ Größe (BxHxT)	165 x 95 x 44 mm				
Weight/ Gewicht	340 g				



Controls and Displays

A: Radio Front		
1		[MODE]-Button
2		[PRESET]-Button
3		[SETTINGS]-Button
4		[PRESET 1]-Button
5		[INFO]-Button
6		[PRESET 2]-Button
7		Display
8		[BACK]-Button
9		[VOLUME/SELECT/NAVIGATE]
10		Antenna

B: Back		
11		Headphone socket
12	DC IN	Mains power supply
13		Battery case

 **Content**

1. Explanation of Warning Symbols and Notes	4
2. Package Contents	4
3. Safety notes	4
4. Information and notes before getting started	5
5. Getting started	5
5.1 Battery operation	5
5.2 Mains operation	5
5.3 General notes on use	5
5.4 Initial setup	6
5.5 Language	6
6. DAB	6
6.1 Search / Automatic search	6
6.2 Station list	7
6.3 Edit station list	7
6.4 Favourites	7
6.4.1 Save favourites	7
6.4.2 Access favourites	7
6.5 DRC (Dynamic Range Control)	7
7. FM	8
7.1 Scan setting	8
7.2 Automatic station search	8
7.3 Favourites	8
7.3.1 Save favourites	8
7.3.2 Access favourites	8
7.4 Audio setting	8
8. Additional settings	8
8.1 Sleep	8
8.2 Alarm clock	9
8.3 Lighting	9
8.4 Factory Reset	9
8.5 Info / Software version	9
9. Care and Maintenance	10
10. Warranty Disclaimer	10
11. Service and Support	10
12. Recycling Information	10
13. Declaration of Conformity	10

Menu structure

DAB

Station list	
Full scan	
DRC	
	DRC high
	DRC low
	DRC high
Prune	
Sleep	
	Sleep off
	15 Minutes
	30 Minutes
	45 Minutes
	60 Minutes
	90 Minutes
	120 Minutes
Alarm	
	Alarm 1 Setup
	Alarm 2 Setup
Time	
	Set Time/Date
	Set time
	Set date
	Auto update
	No update
	Update from Any
	Update from DAB
	Update from FM
	Set 12/24 hour
	Set 24 hour
	Set 12 hour
	Set date format
	DD-MM-YYYY
	MM-DD-YYYY
Backlight	
	On level
	Dim level
Language	
Factory Reset	
SW version	

FM

Scan setting	Strong stations only
	All stations
Audio setting	Forced mono
	Stereo allowed
Sleep	Sleep off
	15 Minutes
	30 Minutes
	45 Minutes
	60 Minutes
	90 Minutes
	120 Minutes
Alarm	Alarm 1 Setup
	Alarm 2 Setup
Time	Set Time/Date
	Set time
	Set date
	Auto update
	No update
	Update from Any
	Update from DAB
	Update from FM
	Set 12/24 hour
	Set 24 hour
	Set 12 hour
	Set date format
	DD-MM-YYYY
	MM-DD-YYYY
Backlight	On level
	Dim level
Language	
Factory Reset	
SW version	



Thank you for choosing a Hama product.

Take your time and read the following instructions and information completely. Please keep these instructions in a safe place for future reference. If you sell the device, please pass these operating instructions on to the new owner.

1. Explanation of Warning Symbols and Notes

Risk of electric shock

This symbol indicates a risk of electric shock from touching product parts carrying hazardous voltage.

Warning

This symbol is used to indicate safety instructions or to draw your attention to specific hazards and risks.

Note

This symbol is used to indicate additional information or important notes.

2. Package Contents

- Digital radio DR7USB
- 4x AA (Mignon) batteries
- Quick guide

3. Safety notes

- The product is intended for private, non-commercial use only.
- Protect the product from dirt, moisture and overheating and use it in dry rooms only.
- As with all electrical devices, this device should be kept out of the reach of children.
- Do not drop the product and do not expose it to any major shocks.
- Do not operate the product outside the power limits given in the specifications.
- Keep the packaging material out of the reach of children due to the risk of suffocation.
- Dispose of packaging material immediately according to locally applicable regulations.
- Do not modify the device in any way. Doing so voids the warranty.

Risk of electric shock

- Do not open the device or continue to operate it if it becomes damaged.
- Do not use the product if the AC adapter, adapter cable or power cable is damaged.
- Do not attempt to service or repair the product yourself. Leave any and all service work to qualified experts.

Warning - Batteries

- When inserting batteries, note the correct polarity (+ and - markings) and insert the batteries accordingly. Failure to do so could result in the batteries leaking or exploding.
- Do not allow children to change batteries without supervision.
- Remove the batteries from products that are not being used for an extended period.
- Do not short-circuit batteries.
- Do not charge batteries.
- Do not throw batteries in a fire.
- Keep batteries out of the reach of children.
- Do not mix old and new batteries or batteries of a different type or make.



4. Information and notes before getting started

Note – Optimal reception

Please note:

- Extend the antenna always completely.
- For best reception it's recommended to extend the antenna vertical.
- Try various different positions if necessary to get the best reception.

Note – Power supply

With batteries inserted, the radio is always supplied with power from the batteries. Therefore, to operate the radio off a USB power supply, you should remove the batteries from the battery compartment first.

5. Getting started

5.1 Battery operation

- Open the battery compartment cover. It is located on the rear of the radio.
- Slide the battery compartment cover in the direction indicated.
- Insert the batteries paying attention to the match the polarities correctly. The correct polarity is indicated by the plus and minus symbols in the battery compartment.
- Replace the battery compartment cover.

5.2 Mains operation

Warning - mains operation

- Disconnect the product from the power supply using the On/Off switch – if this is not available, unplug the power cord from the socket.
- If you will not be using the product for a prolonged period, disconnect it from mains power.
- Connect a suitable USB power pack to the rear of the radio using a Micro USB cable (12).
- Connect the power pack to a properly installed and easily accessible mains socket.
- Wait until the radio has initialised fully.
- Press [**NAVIGATION/OK/VOLUME**] (9) to switch on the radio.

Note

- Only connect the product to a socket that has been approved for the device.
- The electrical socket must always be easily accessible.
- When using a multi-socket power strip, make sure that the sum power draw of all the connected devices does not exceed its maximum throughput rating.
- If you will not be using the product for a long period of time, disconnect it from mains power.

5.3 General notes on use

Notes on use

- When a selection among menu items is to be made (such as **Y** or **N**), the one currently selected flashes.
- In menus offering a variety of different options (such as DRC, language and so on), the currently selected option is marked with *.

Navigation and controls

[**VOLUME/SELECT/NAVIGATE**] (9) has two different functions:

- Turn [**VOLUME/SELECT/NAVIGATE**] (9) to select among menu items.
- Confirm the selection by pressing [**VOLUME/SELECT/NAVIGATE**] (9).

Press [**BACK**] (8) to return to the previous menu level.

Volume adjustment

Turn [**VOLUME/SELECT/NAVIGATE**] (9) to increase/reduce the volume.

Additional Information

Press [**INFO**] to display context-dependent additional information. The information shown depends on the operating mode as well as the current selection of radio station.

• Description

Indicates the radio station, the current program, contents, subjects, etc.

• Program genre/ country

Indicates the genre (music style) and the country or region of the station.



• **Bit-Rate**

he currently received digital bit rate of the received station is displayed.

• **Codec**

Specifies the encoding scheme used to digitise the data or signal (such as MP3 or WMA).

• **Sampling rate**

Specifies the sampling rate, or the frequency with which the audio signal is polled (Sampling-/Samplerate), in a certain period of time.

• **Signal strength**

he signal strength of the received station is displayed via a bar and its length.

• **Today's date**

• **Time**

• **Signal error**

• **Service is not available**

It's displayed when there is currently no DAB reception.

Switching on/off

Press [**VOLUME/SELECT/NAVIGATE**] (9) to switch on the radio.

Press and hold [**VOLUME/SELECT/NAVIGATE**] (9) for approximately 3 seconds to switch off the radio.

5.4 Initial setup

The **station search** in the operating mode DAB starts up automatically when the radio is turned on for the first time. By default, the radio starts with the English menu navigation. Set up your desired language as described in

5.5 Language

To change the menu language from that selected at first-time startup, proceed as follows:

- Press [**SETTINGS**] (3) to access the settings menu.
- Turn [**VOLUME/SELECT/NAVIGATE**] (9) to navigate to the 'Language' menu item.
- Confirm your selection by pressing [**VOLUME/SELECT/NAVIGATE**] (9).
- Turn [**VOLUME/SELECT/NAVIGATE**] (9) to select your desired system language.
- Confirm the selection by pressing [**VOLUME/SELECT/NAVIGATE**] (9).

6. DAB

The radio receives all established digital radio frequencies in the range of 174 MHz (band III, channel 5A to 13F).

- Activate the DAB mode on the radio by repeatedly pressing [**MODE**] (1).

6.1 Search / Automatic search

The automatic DAB channel search scans the DAB band III for available stations. After the station search, all interference-free stations are saved in alphabetical order. The automatic DAB station search starts automatically when DAB mode is started for the first time; it is indicated by **Scanning...** and a status bar on the display. If you would like to start the search again, proceed as follows:

- Press [**SETTINGS**] (3) to access the settings menu.
- Turn [**VOLUME/SELECT/NAVIGATE**] (9) to navigate to the 'Find all stations' menu item.
- Confirm your selection by pressing [**VOLUME/SELECT/NAVIGATE**] (9).

6.2 Station list

You can access the station list in DAB mode at any time via two methods:

a)

- Press [**BACK**] (8) and then turn [**VOLUME/SELECT/NAVIGATE**] (9) to navigate through the station list.
- Select the desired station and confirm your selection by pressing [**VOLUME/SELECT/NAVIGATE**] (9).

b)

- Press [**SETTINGS**] (3) to access the settings menu.
- Turn [**VOLUME/SELECT/NAVIGATE**] (9) to navigate to the 'Station list' menu item.
- Confirm your selection by pressing [**VOLUME/SELECT/NAVIGATE**] (9).
- Turn [**VOLUME/SELECT/NAVIGATE**] (9) to select the desired station.
- Confirm your selection by pressing [**VOLUME/SELECT/NAVIGATE**] (9).



6.3 Edit station list

To remove stations that are not currently in the reception area, from your station list, proceed as follows:

- Press **[SETTINGS]** (3) to access the settings menu.
- Turn **[VOLUME/SELECT/NAVIGATE]** (9) to navigate to the 'Delete inactive stations' menu item.
- Confirm your selection by pressing **[VOLUME/SELECT/NAVIGATE]** (9).

If you answer **Yes**, then all currently unavailable stations will be removed from the station list.

6.4 Favourites

You can save up to 30 of your favourite stations for quick and direct access.

6.4.1 Save favourites

- Set the station that you would like to save as a favourite station preset.
- If the station is received, press and hold **[PRESET]** on the front of the radio.
- Turn **[VOLUME/SELECT/NAVIGATE]** (9) to switch between the presets.
- Press **[VOLUME/SELECT/NAVIGATE]** (9) to confirm your selection and store the station on the favourite station preset.

6.4.2 Access favourites

Press **[PRESET]** to open the overview window with the list of saved stations.

- Turn **[VOLUME/SELECT/NAVIGATE]** (9) to navigate to the desired preset.
- Turn and press **[VOLUME/SELECT/NAVIGATE]** (9) to select a favourite station.

Note



- Favourites cannot be deleted.
- If all 30 station memory slots are filled and you wish to save a new station, choose one of the occupied slots. The station in this slot will be overwritten with the new station.

6.5 DRC (Dynamic Range Control)

Some radio stations in the DAB network support an audio level control that is activated at varying volumes during playback. If the audio level suddenly rises during playback, DRC automatically reduces the volume. The same happens if playback suddenly becomes quieter, with the radio then increasing the volume.

This radio has three different settings for DRC:

DRC high:

total equalisation of different volumes. Strong compression can audibly reduce the dynamics of a music title.

DRC low:

partial equalisation of different volumes. More subtle compression, without too much loss of dynamics.

DRC off:

no equalisation.

Proceed as follows to do the settings:

- Press **[SETTINGS]** (3) to access the settings menu.
- Turn **[VOLUME/SELECT/NAVIGATE]** (9) to navigate to the 'Volume adjustment' menu item.
- Confirm your selection by pressing **[VOLUME/SELECT/NAVIGATE]** (9).
- Now make the desired setting.

7. FM

Press repeatedly **[MODE]**(1) to activate the operating mode **FM**:

7.1 Scan setting

The search run setting allows you to determine whether stations with low signal strength are ignored during the automatic search run.

Proceed as follows:

- Press **[SETTINGS]** (3) to access the settings menu.
- Turn **[VOLUME/SELECT/NAVIGATE]** (9) to navigate to the 'Station search setting' menu item.
- Confirm your selection by pressing **[VOLUME/SELECT/NAVIGATE]** (9).
- Turn and press **[VOLUME/SELECT/NAVIGATE]** (9) to select the desired setting.

To have the search run stop only at stations with high signal strength, select **Strong stations only**. Otherwise (**All stations**), the search run will stop at every station for which a signal is received.



7.2 Automatic station search

- Press [**VOLUME/SELECT/NAVIGATE**] (9) to start the automatic station search.
- The radio stops the search and starts playback when it finds a station.
- Press [**VOLUME/SELECT/NAVIGATE**] (9) again to continue the search until the next station is found.

7.3 Favourites

You can save up to 30 of your favourite stations for quick and direct access.

7.3.1 Save favourites

- Set the station that you would like to save as a favourite station preset.
- If the station is received, press and hold [**PRESET**] on the front of the radio.
- Turn [**VOLUME/SELECT/NAVIGATE**] (9) to switch between the presets.
- Press [**VOLUME/SELECT/NAVIGATE**] (9) to confirm your selection and store the station on the favourite station preset.

7.3.2 Access favourites

Press [**PRESET**] to open the overview window with the list of saved stations.

- Turn [**VOLUME/SELECT/NAVIGATE**] (9) to navigate to the desired preset.
- Confirm your selection by pressing [**VOLUME/SELECT/NAVIGATE**] (9).

Note



- Favourites cannot be deleted.
- If all 30 station memory slots are filled and you wish to save a new station, choose one of the occupied slots. The station in this slot will be overwritten with the new station.

7.4 Audio setting

For some stations with a weak signal, quality can be slightly improved by playing them in mono quality. You can enable this function in the menu (**Forced mono**), and the radio will automatically switch to mono reception when signal quality is poor.

To change the audio setting, proceed as follows:

- Press [**SETTINGS**] (3) to access the settings menu.
- Turn [**VOLUME/SELECT/NAVIGATE**] (9) to navigate to the 'Audio setting' menu item.
- Confirm your selection by pressing [**VOLUME/SELECT/NAVIGATE**] (9).
- Now select the desired setting.

8. Additional settings

8.1 Sleep

The radio has a timer function that switches the device to standby mode after a defined time interval.

Proceed as follows:

- Press [**SETTINGS**] (3) to access the settings menu.
- Turn [**VOLUME/SELECT/NAVIGATE**] (9) to navigate to the 'Sleep' menu item.
- Confirm your selection by pressing [**VOLUME/SELECT/NAVIGATE**] (9).
- Turn and press [**VOLUME/SELECT/NAVIGATE**] (9) to select the desired setting.



8.2 Alarm clock

The radio allows you to set two different alarm times.

- Configuration of alarm 1 and alarm 2 is identical. They allow two alarm times to be saved independently.
- Press [**SETTINGS**] (3) to access the settings menu.
- Turn [**VOLUME/SELECT/NAVIGATE**] (9) to navigate to the 'Alarm clock' menu item.
- Confirm your selection by pressing [**VOLUME/SELECT/NAVIGATE**] (9).
- Now select the desired setting and confirm your selection by pressing [**VOLUME/SELECT/NAVIGATE**] (9).

Time:

First choose the hour, then the minute at which the alarm is to activate.

Duration:

Select the duration of the alarm.

Source:

Set whether you wish to be woken by an alarm tone (buzzer), FM or DAB.

Mode:

Choose when the alarm is to activate:

Daily – Once – On weekdays – On weekends

Date:

First choose the day, then the month and year when the alarm time begins.

Volume:

Select the volume for your alarm. With this setting, the volume of the radio when you last operated it is irrelevant.

Mode:

Select whether you want to activate or deactivate the alarm.

Note



- When using DAB as an alarm tone, it is important to have a stable radio connection at the alarm time. If this is not the case, the signal tone (buzzer) is used as the alarm tone.
- It is recommended that you allow automatic time updates. This ensures that the time is updated even after disconnection of the power supply – for example, in the case of a power failure.

8.3 Lighting

The backlight can be configured separately for each operating mode (operation, standby).

- Press [**SETTINGS**] (3) to access the settings menu.
- Turn [**VOLUME/SELECT/NAVIGATE**] (9) to navigate to the 'Lighting' menu item. Confirm your selection by pressing [**VOLUME/SELECT/NAVIGATE**] (9).
- Now select the desired setting in the respective mode and confirm your selection by pressing [**VOLUME/SELECT/NAVIGATE**] (9).

8.4 Factory Reset

- Press [**SETTINGS**] (3) to access the settings menu.
- Turn [**VOLUME/SELECT/NAVIGATE**] (9) to navigate to the 'Factory settings' menu item.
- Confirm your selection by pressing [**VOLUME/SELECT/NAVIGATE**] (9).

Confirm the following prompt with **Yes** to reset the radio to the factory default settings. All settings made previously are deleted.

Note



- Resetting to the factory default settings can solve some problems and malfunctions.
- However, all settings made previously, such as favourites and station lists, are permanently deleted.

8.5 Info / Software version

To have the radio display information about its software, proceed as follows:

- Press [**SETTINGS**] (3) to access the settings menu.
- Turn [**VOLUME/SELECT/NAVIGATE**] (9) to navigate to the 'SW version' menu item.
- Confirm your selection by pressing [**VOLUME/SELECT/NAVIGATE**] (9).



9. Care and Maintenance

- Only clean this product with a slightly damp, lint-free cloth and do not use aggressive cleaning agents.
- If you do not use the product for a long time, turn off the device and disconnect it from the power supply. Store it in a clean, dry place out of direct sunlight.

10. Warranty Disclaimer

Hama GmbH & Co KG assumes no liability and provides no warranty for damage resulting from improper installation/mounting, improper use of the product or from failure to observe the operating instructions and/ or safety notes.

11. Service and Support

Please contact Hama Product Consulting if you have any questions about this product
Hotline: +49 9091 502-115 (German/English)

Further support information can be found here:
www.hama.com


12. Recycling Information

Note on environmental protection:



After the implementation of the European Directive 2012/19/EU and 2006/66/EU in the national legal system, the following applies: Electric and electronic devices as well as batteries must not be disposed of with household waste. Consumers are obliged by law to return electrical and electronic devices as well as batteries at the end of their service lives to the public collecting points set up for this purpose or point of sale. Details to this are defined by the national law of the respective country. This symbol on the product, the instruction manual or the package indicates that a product is subject to these regulations. By recycling, reusing the materials or other forms of utilising old devices/batteries, you are making an important contribution to protecting our environment.

13. Declaration of Conformity

 Hereby, Hama GmbH & Co KG declares that the radio equipment type [00054869] is in compliance with Directive 2014/53/EU. The full text of the EU declaration of conformity is available at the following internet address:
www.hama.com -> 00054869 -> Downloads.



hama®

Hama GmbH & Co KG
86652 Monheim/Germany
www.hama.com

All listed brands are trademarks of the corresponding companies. Errors and omissions excepted, and subject to technical changes. Our general terms of delivery and payment are applied.

00054242 / 03.22