



Do you need
more help?



Scan QR or visit: www.hama.com
➔ 🔍 ➔ 00220803 ➔ Downloads



hama

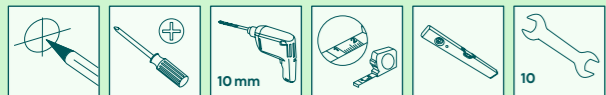
We are so happy you chose a
hama product.

Enjoy using it!



Quick Installation Guide

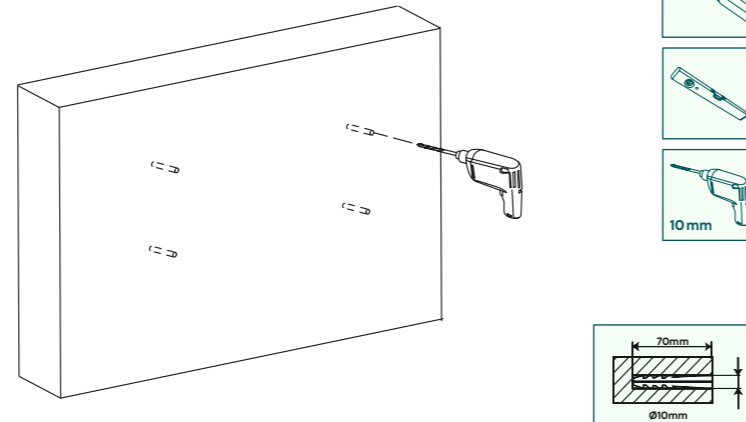
Required tools



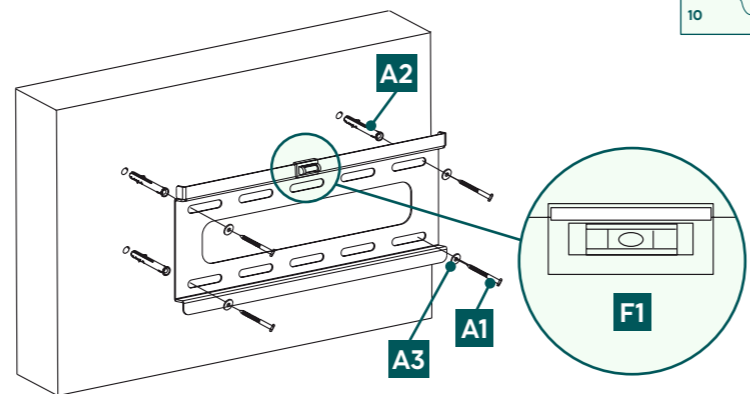
Installation kit

A1	6x70 (x4)	D1	M8x12 (x4)
A2	Ø10x60 (x4)	D2	M8x20 (x4)
A3	M6 (x4)	D3	M8x30 (x4)
B1	M6 (x4)	E1	M4x12 (x4)
B2	Ø8x10 (x4)	E2	M4x20 (x4)
B3	Ø8x20 (x4)	E3	M4x45 (x4)
C1	M6x12 (x4)	F1	(x1)
C2	M6x20 (x4)		

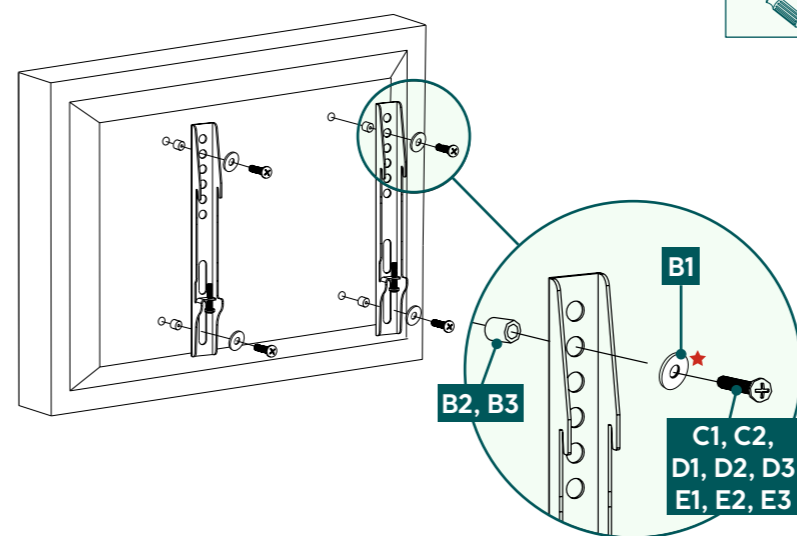
1 Drilling the holes



2 Wall mounting the bracket

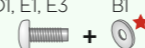


3 Mounting on backside of the TV



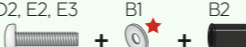
Flat TV backside

C1, D1, E1, E3 + B1

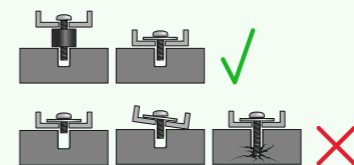
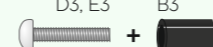


Curved TV backside

C2, D2, E2, E3 + B1 + B2



D3, E3 + B3



★ You do not need a washer for the D-screws

4 Adjustment & Fixing

