

We are so happy you chose a  
hama product.

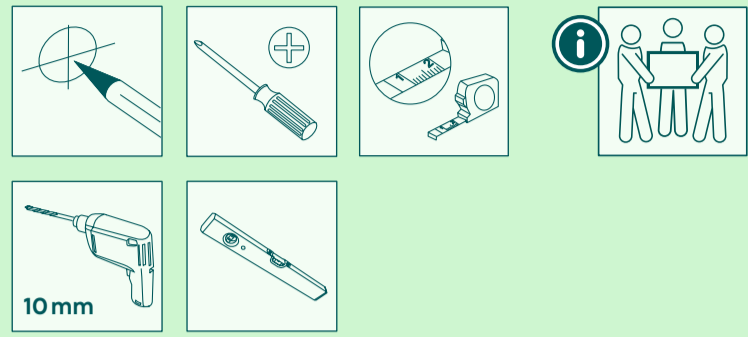
***Enjoy using it!***





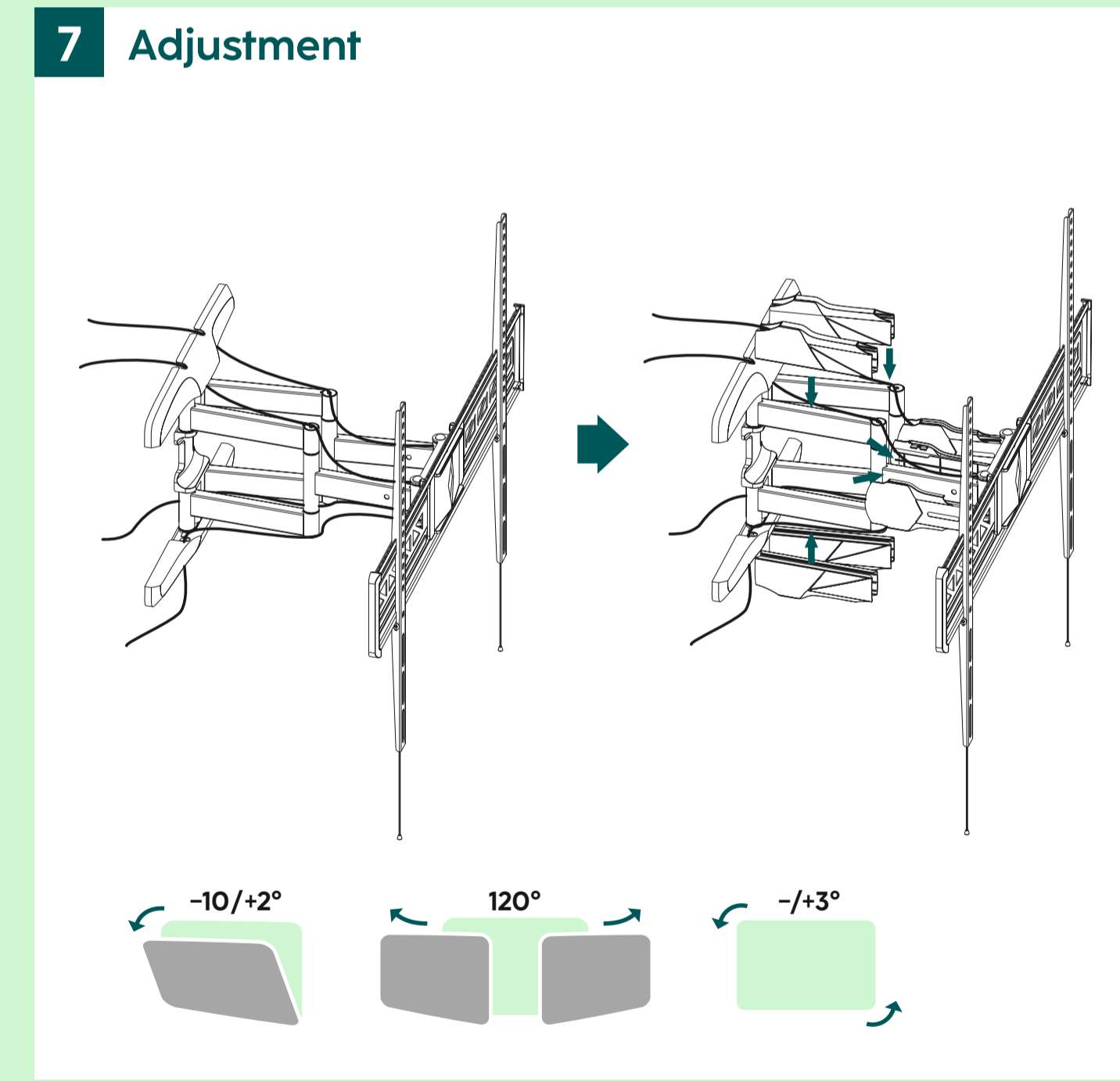
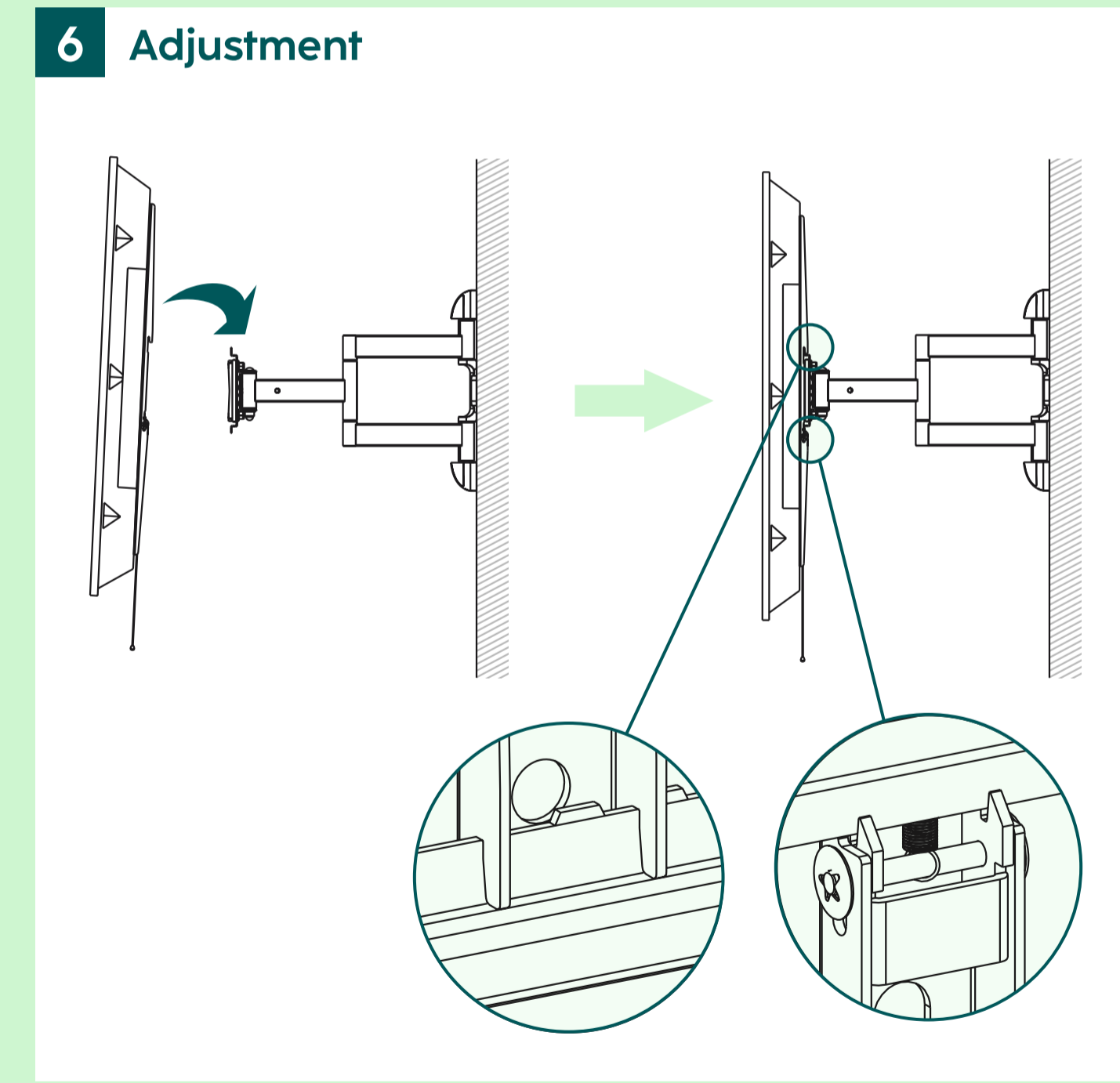
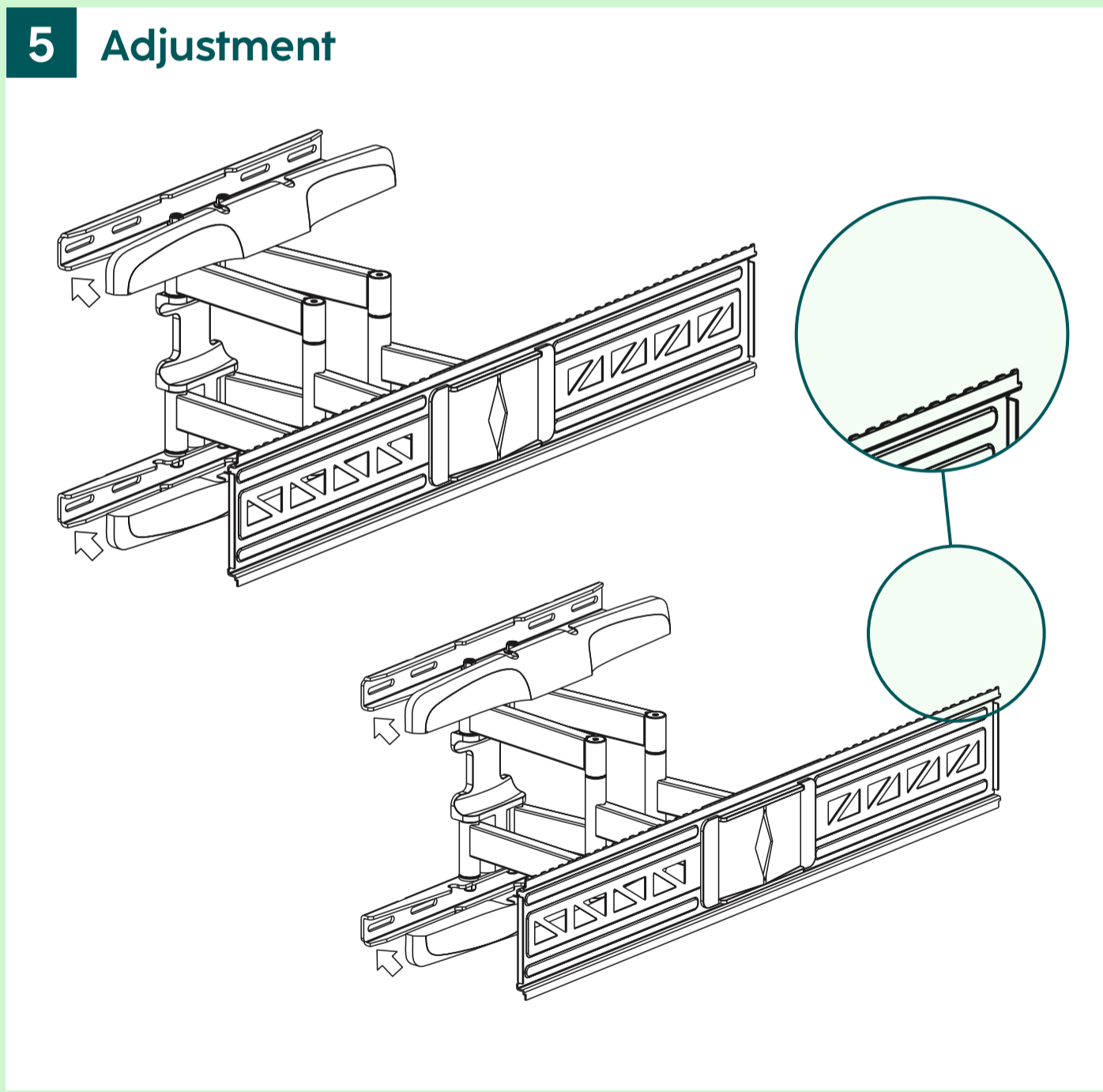
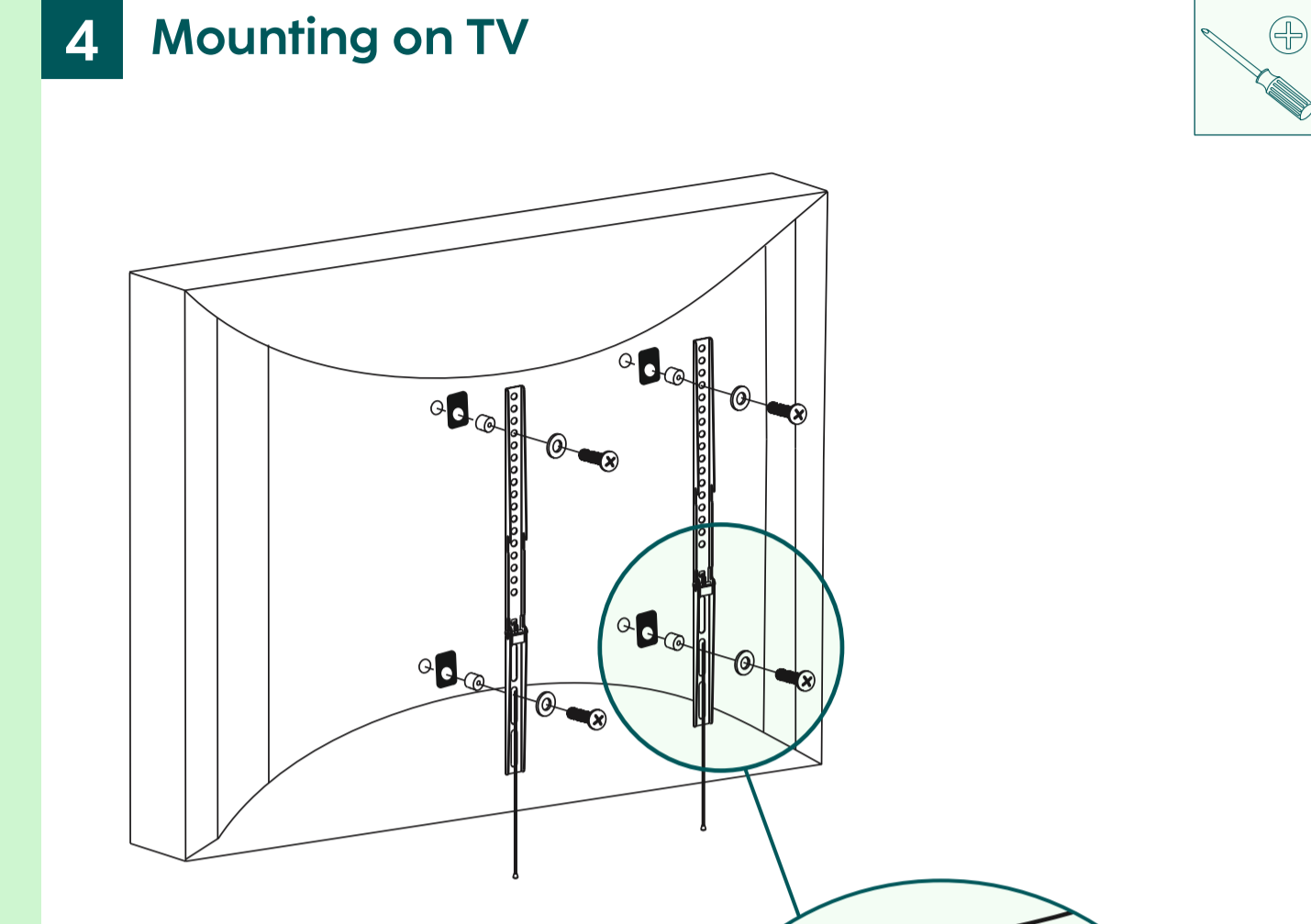
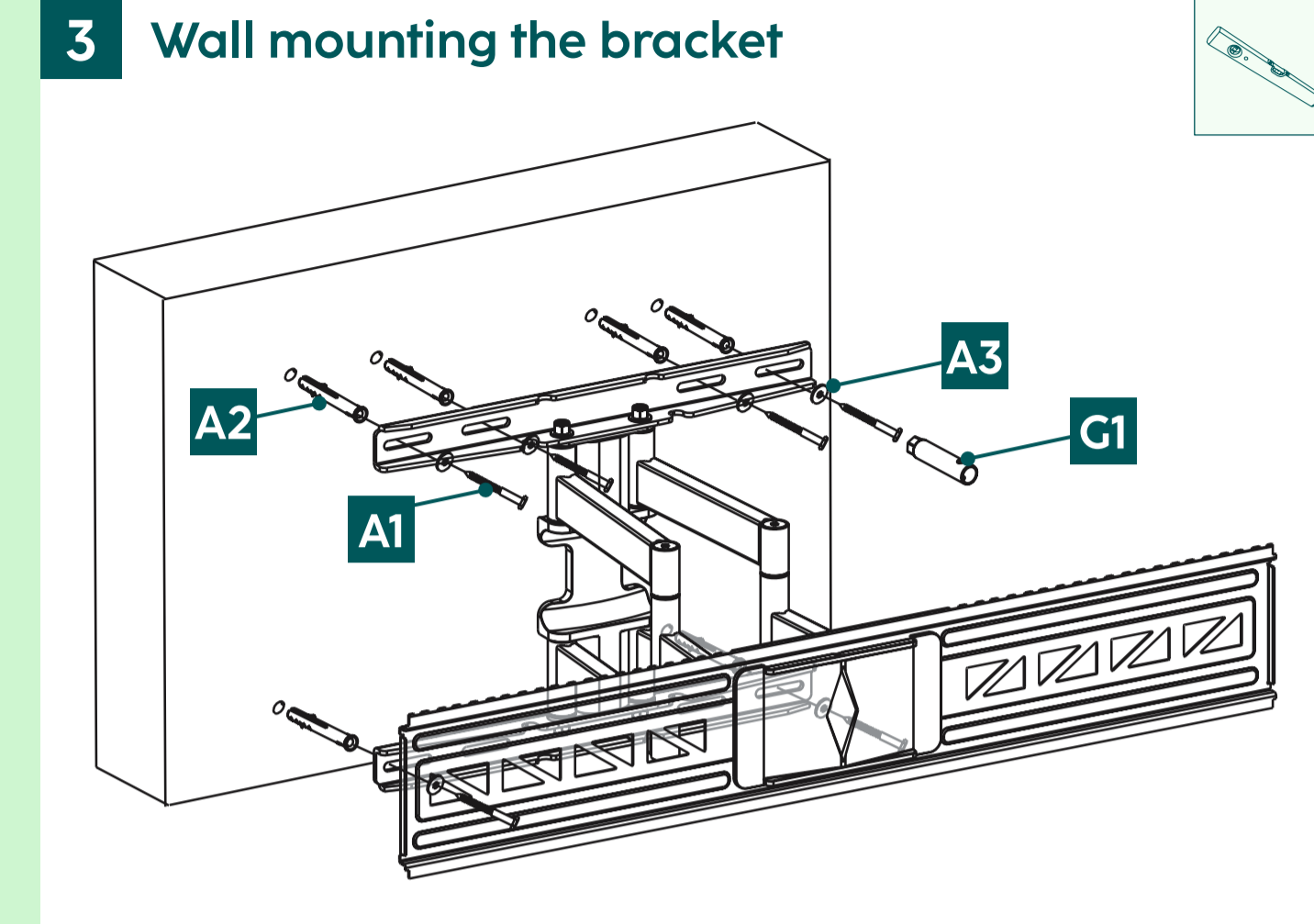
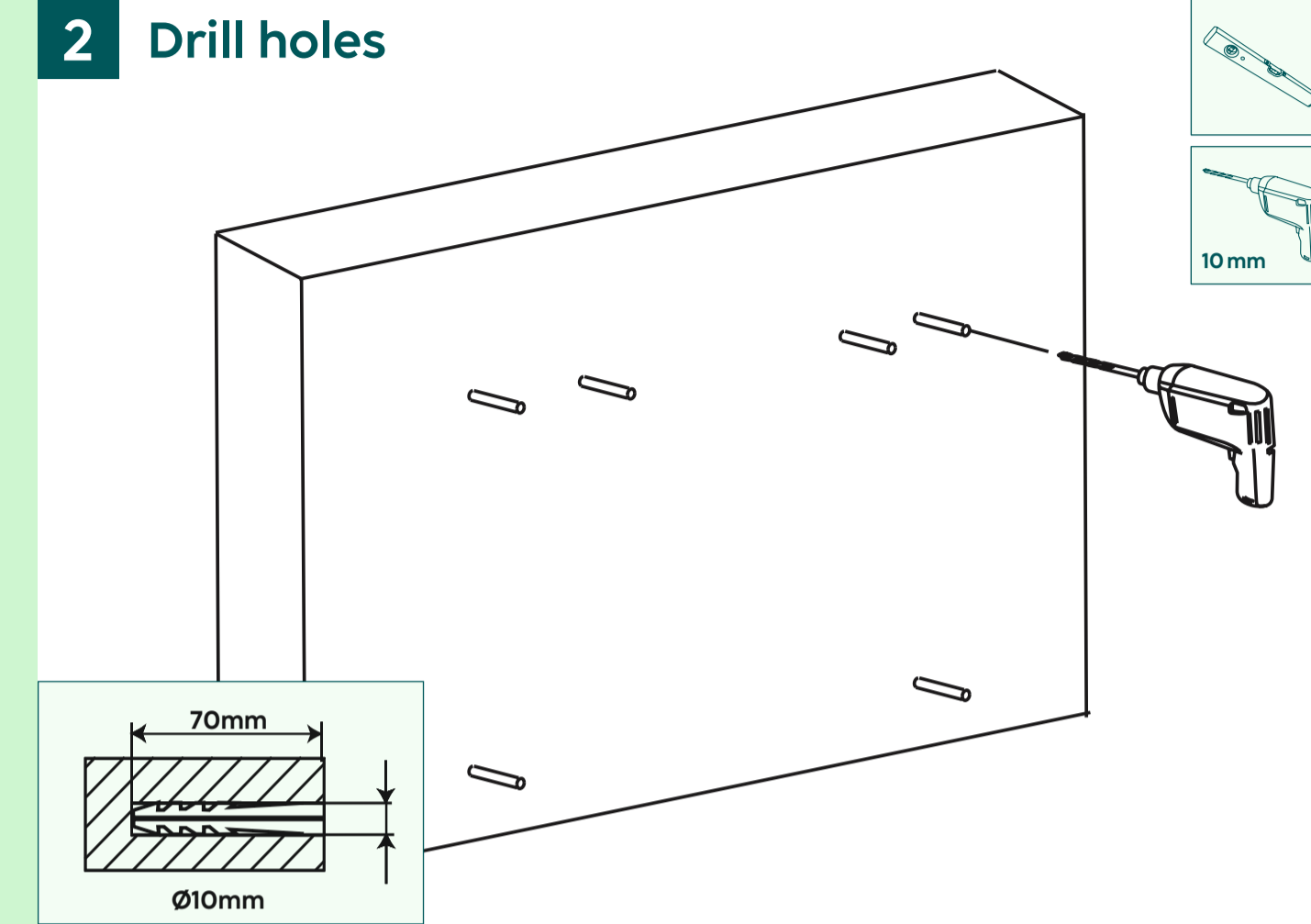
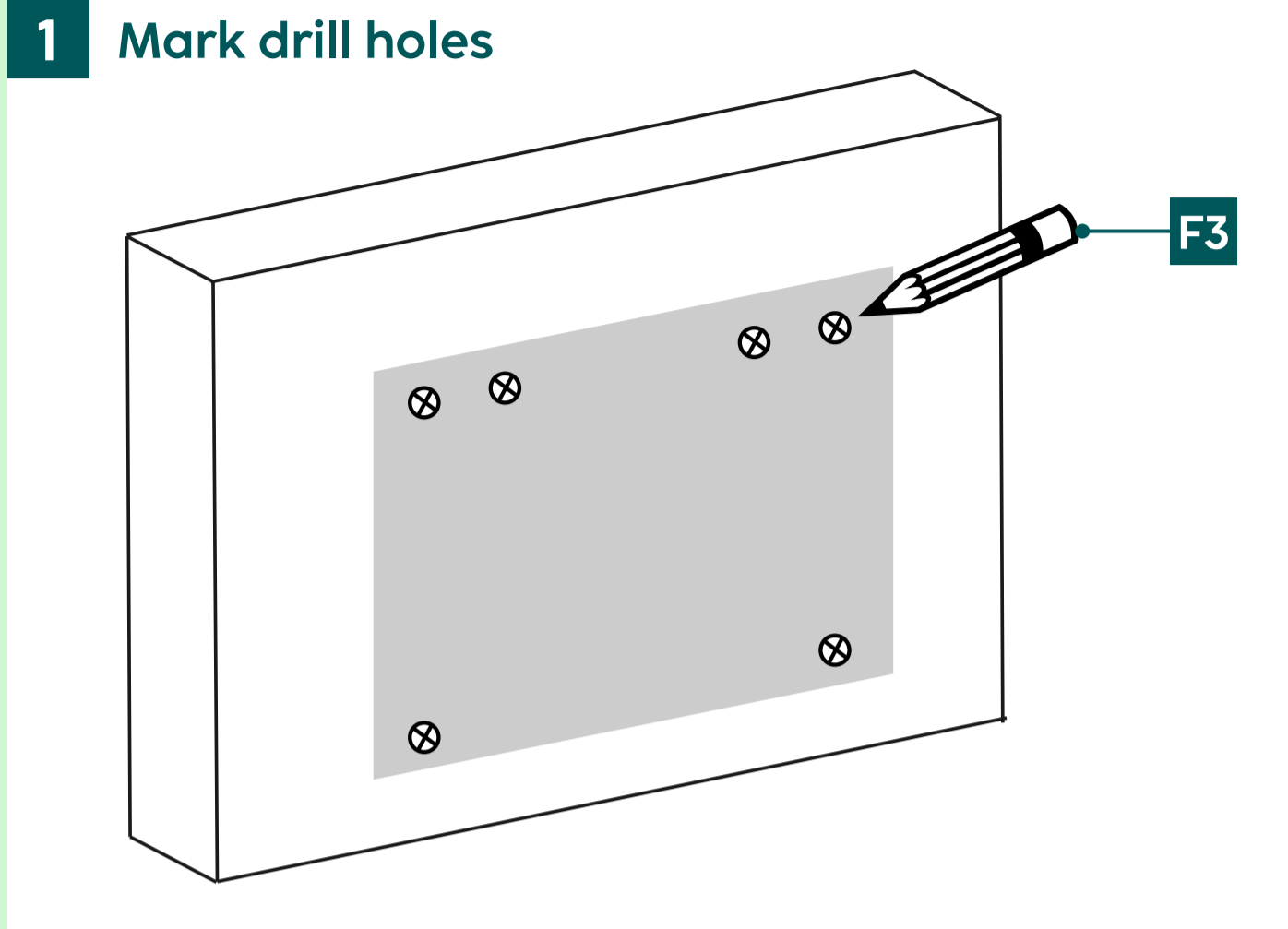
# Quick Installation Guide

## Required tools



## Installation kit

A1		8x60 (x6)
A2		Ø10x60 (x6)
A3		M8 (x6)
B1		M6 (x4)
B2		Ø8x10 (x4)
B3		Ø8x20 (x4)
C1		M6x12 (x4)
C2		M6x20 (x4)
D1		M8x12 (x4)
D2		M8x20 (x4)
D3		M8x30 (x4)
D4		M8x50 (x4)
F1		(x4)
F2		(x1)
F3		(x1)
G1		(x1)
G2		(x1)



### Flat TV backside

F1 + C1, D1, D4 + B1

M8x50 + Ø8x5 = M8x45 (D4)

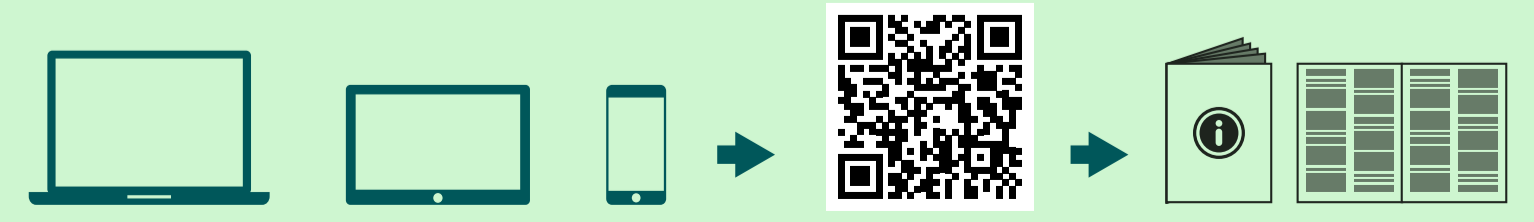
### Curved TV backside

F1 + C2, D2, D4 + B1 + B2

F1 + D3, D4 + B3

\* You do not need a washer for the D-screws

Do you need more help?



Scan QR or visit: [www.hama.com](http://www.hama.com)  
 → 00220838 → Downloads

