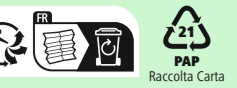


We are so happy you chose a
hama product.

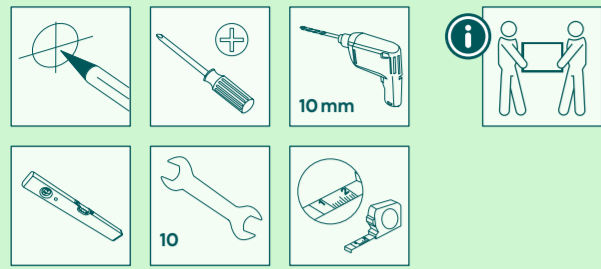
Enjoy using it!



Quick Installation Guide



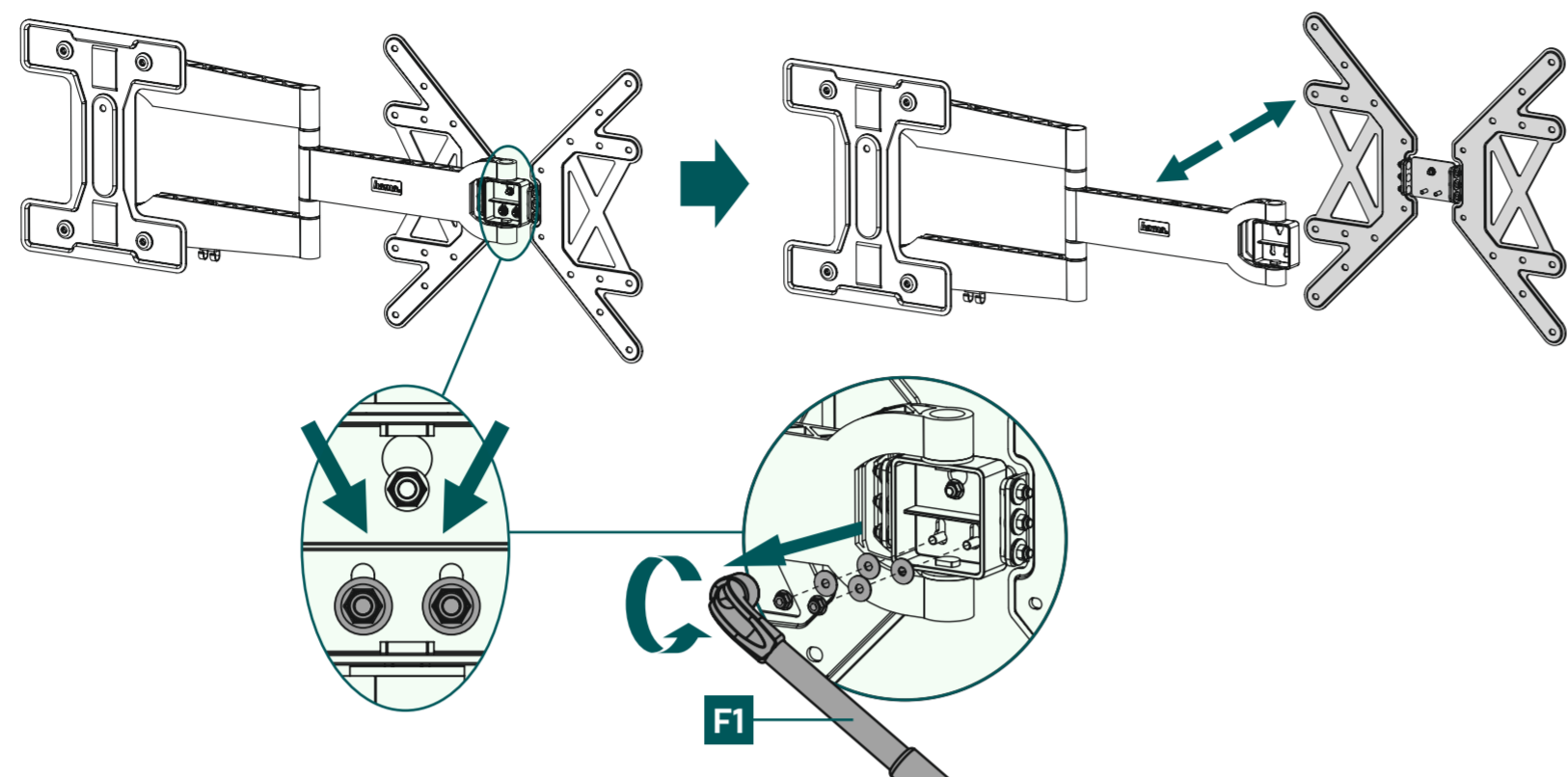
Required tools



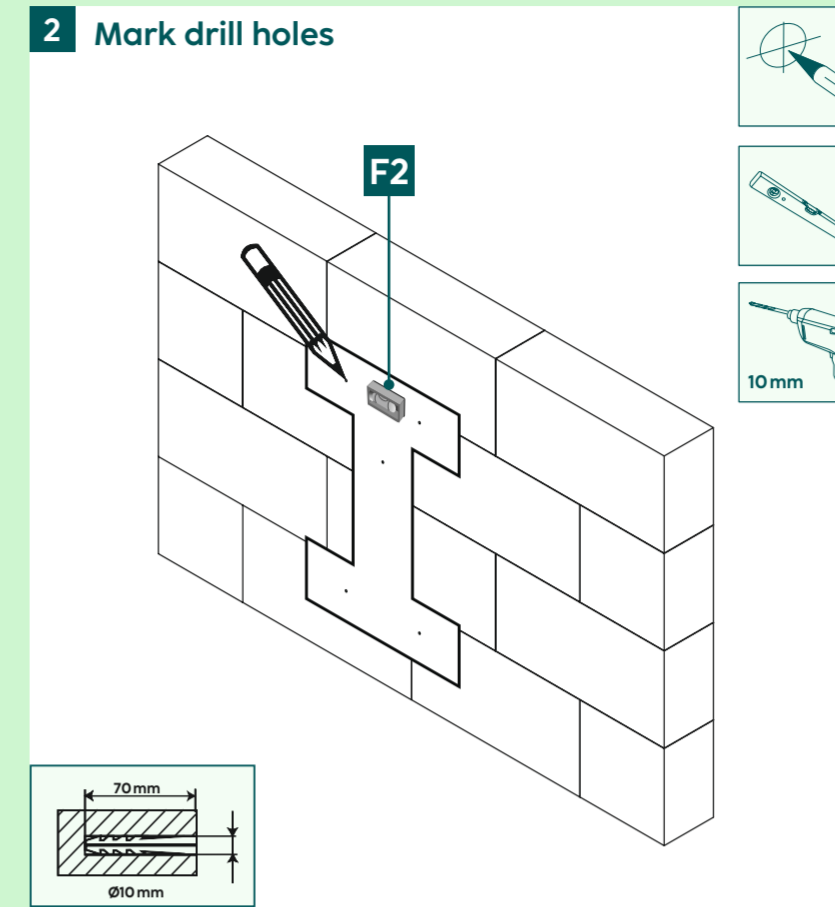
Installation kit

A1		8x60 (x4)
A2		Ø10x60 (x4)
A3		M8 (x4)
B1		M6 (x4)
B2		Ø8x10 (x4)
B3		Ø8x20 (x4)
C1		M6x12 (x4)
C2		M6x20 (x4)
D1		M8x12 (x4)
D2		M8x20 (x4)
D3		M8x30 (x4)
D4		M8x50 (x4)
E1		M4x12 (x4)
E2		M4x20 (x4)
F1		(x1)
F2		(x1)
F3		(x4)

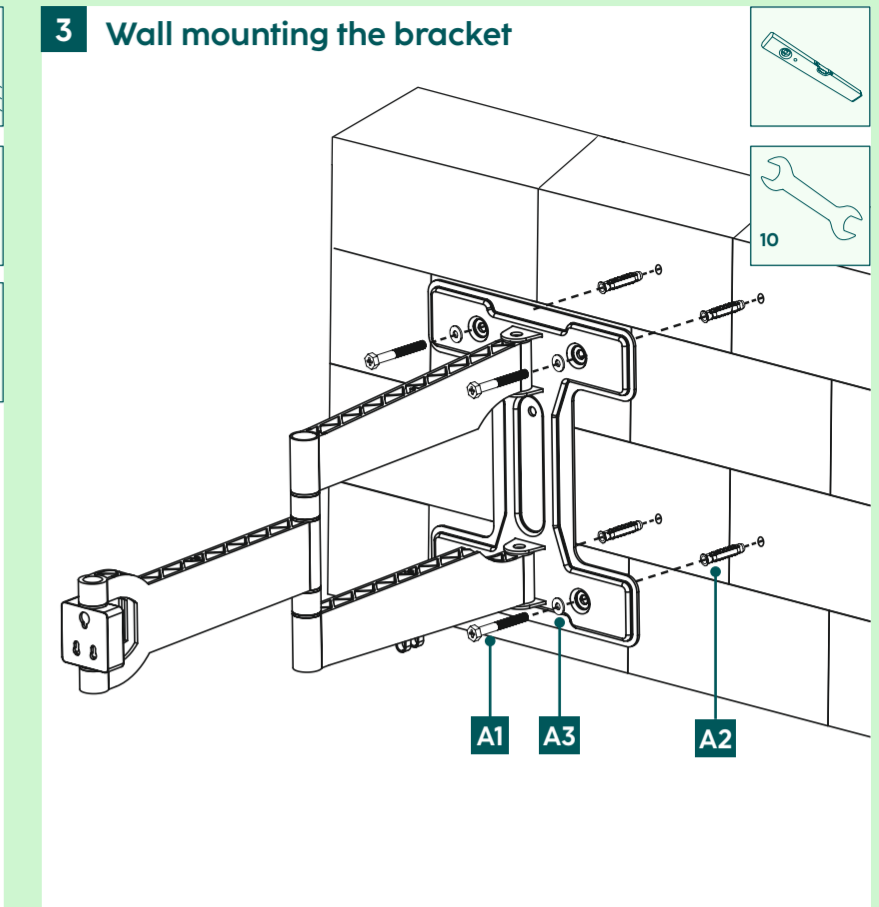
1 Preparing the bracket



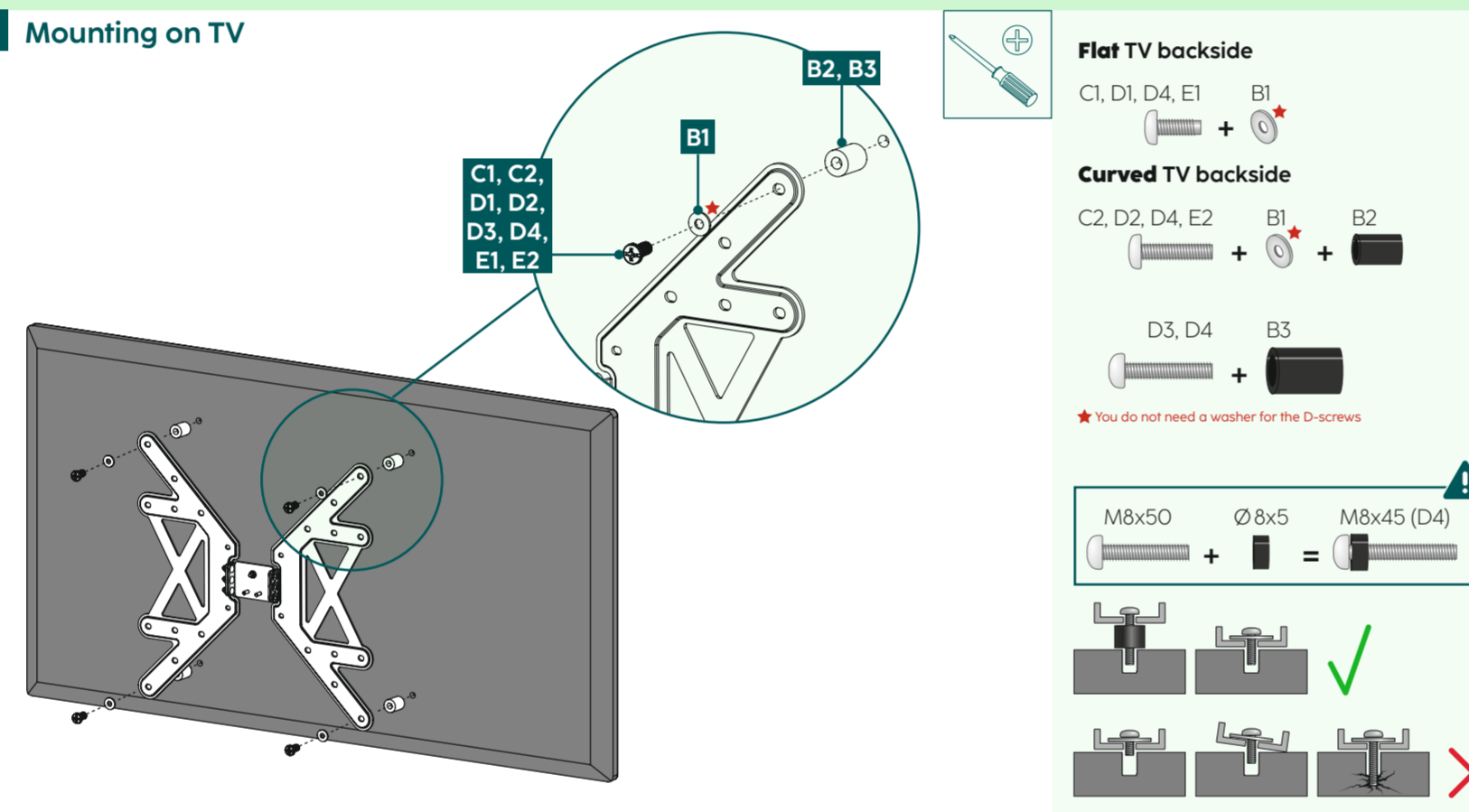
2 Mark drill holes



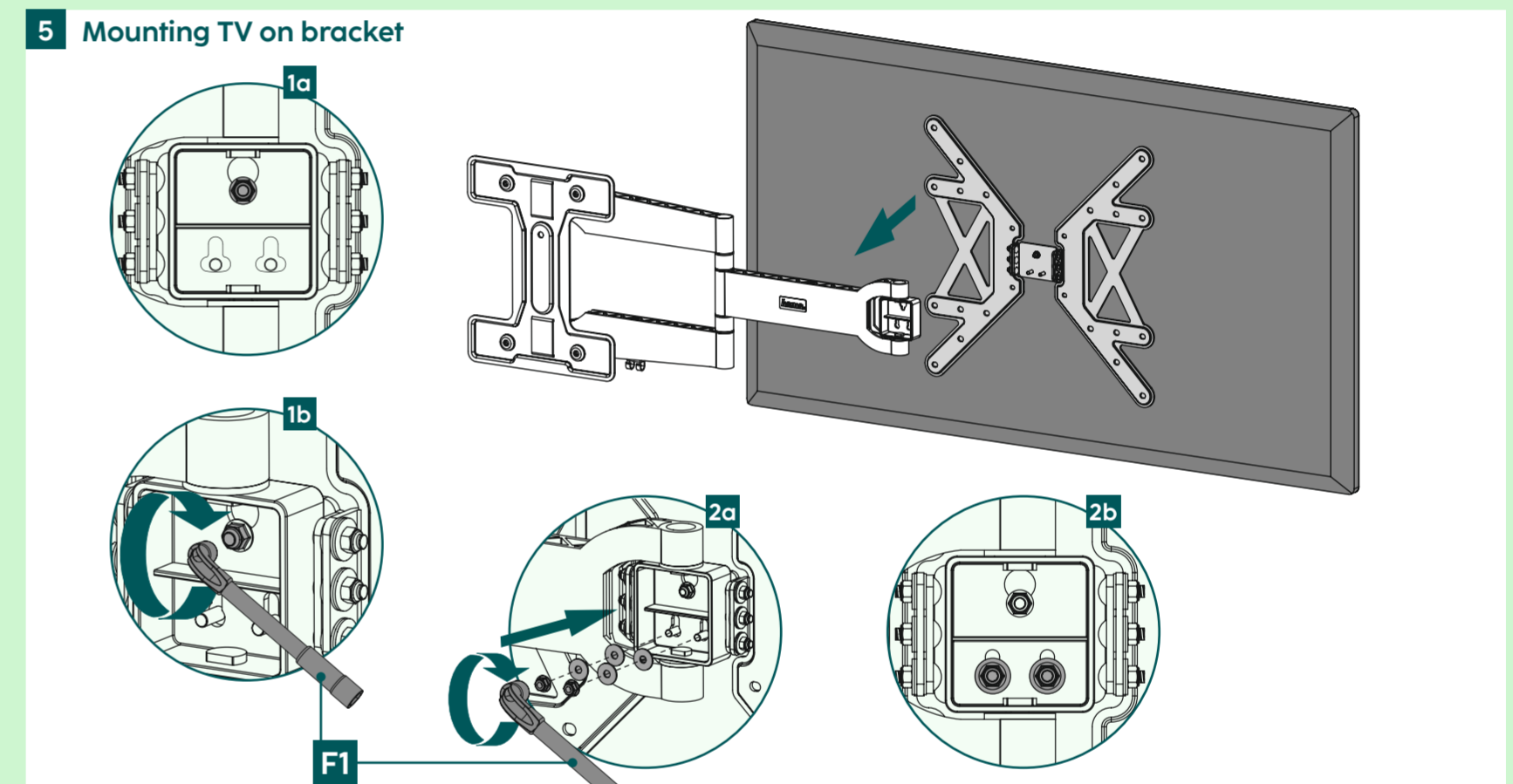
3 Wall mounting the bracket



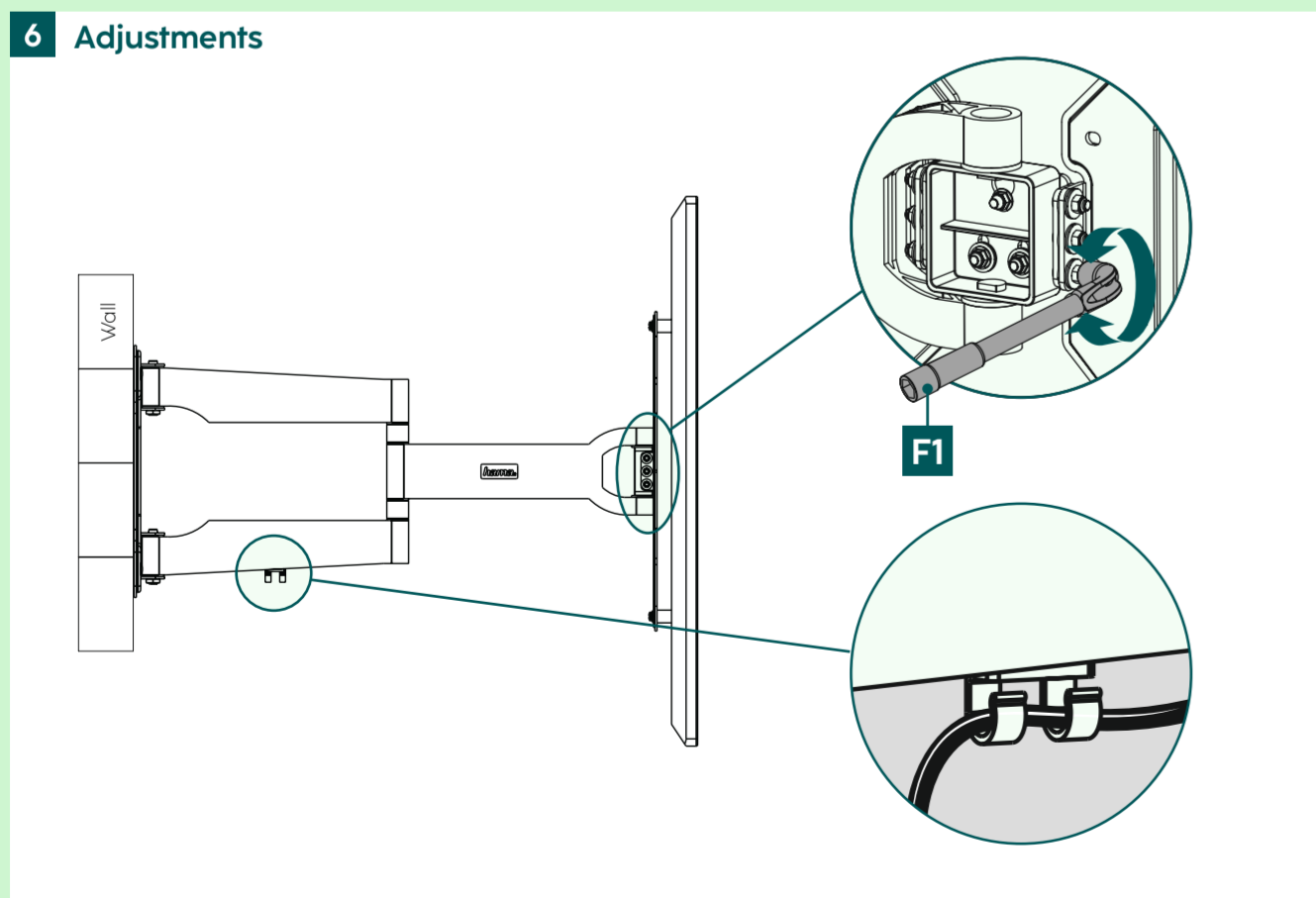
4 Mounting on TV



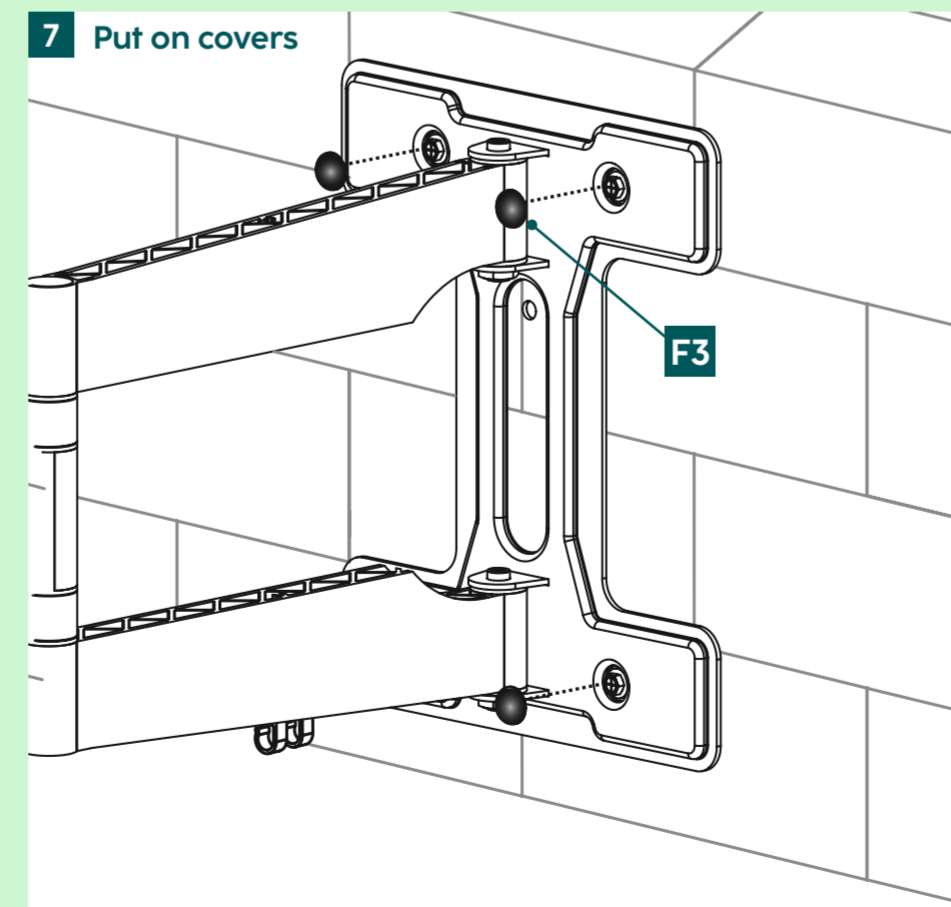
5 Mounting TV on bracket



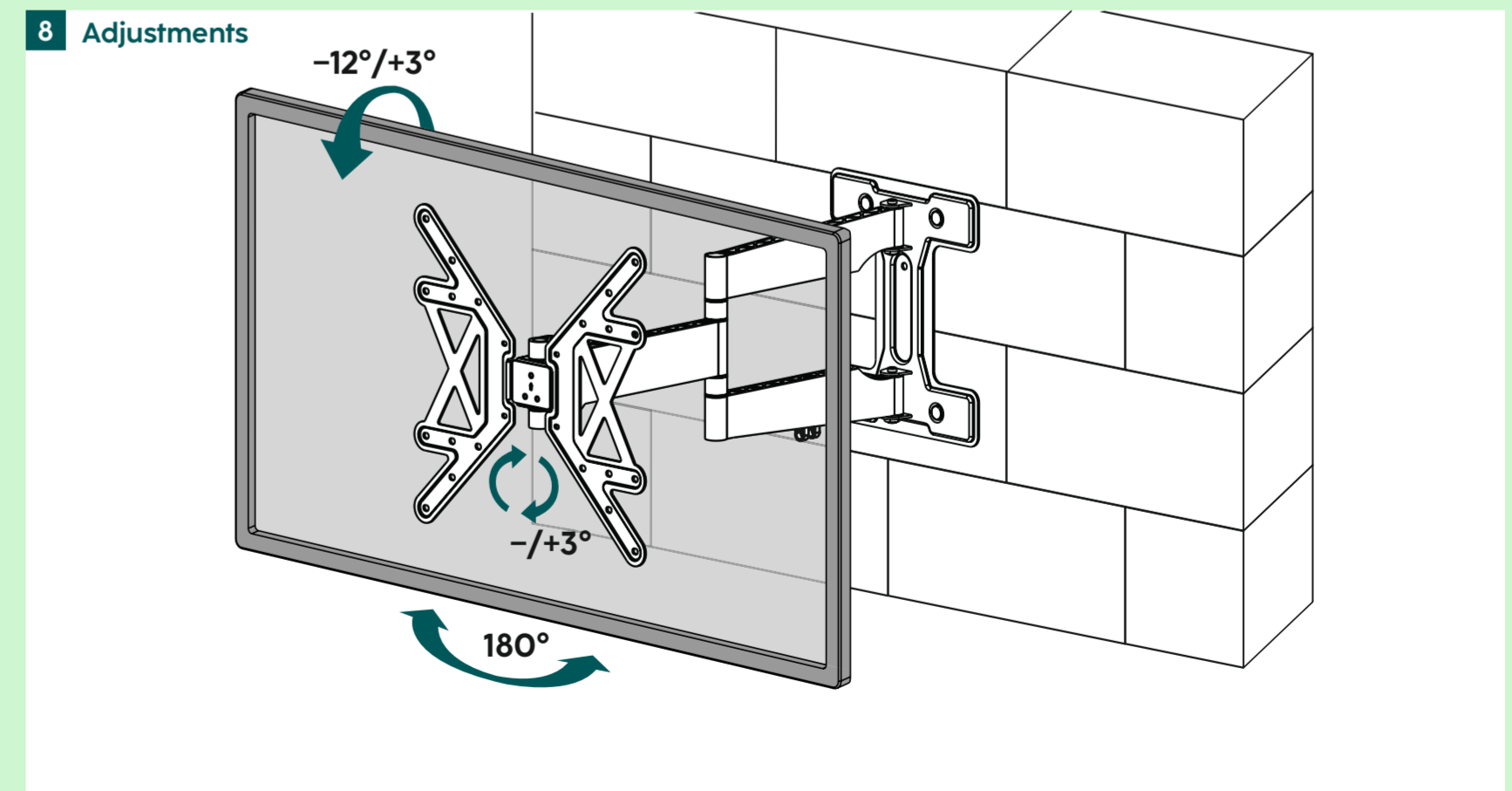
6 Adjustments



7 Put on covers



8 Adjustments



??
Do you need more help?



Scan QR or visit: www.hama.com
→ 00220854 → Downloads